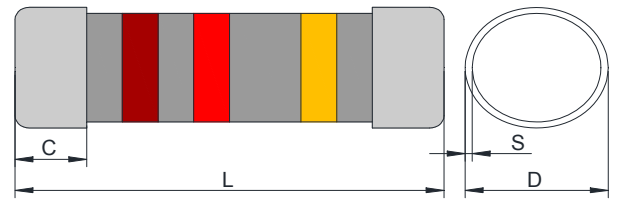


Dimensions :

Type	Size	Dimensions (mm)			
		L	D	C	S
MEMO	0207	5.7±0.2	2.2±0.1	0.8±0.2	0.2±0.1
	0309	8.5±0.3	3.0±0.3	1.7±0.2	0.3±0.1
	0411	10.5±0.3	4.0±0.3	2.3±0.2	0.3±0.1
	0515	14.5±0.3	4.5±0.3	2.3±0.2	0.3±0.1



Coating Color : Grey.(灰色)  
 Marking : Color Bands.  
 ※ E-24 Series =3 bands.

Range :

TYPE	SIZE	POWER RATING	MAX. WORKING VOLTAGE	MAX. OVERLOAD VOLTAGE	RESISTANCE RANGE (E-24):J(±5%);G(±2%)
MEMO	0207	1/4W	250V	500V	0.5 Ω ~56K Ω
		1/2Ws	300V		
	0309	1/2W	350V	600V	0.5 Ω ~82K Ω
		1 Ws			
	0411	1W	400V	700V	0.5 Ω ~100K Ω
		2WS			
0515	3Ws	500V	800V	0.5 Ω ~120K Ω	

The rated voltage shall be the D.C. or A.C.(R.M.S. at power frequency) voltage which corresponds the rated power and the value of which is calculated from the formula below.

$E = \sqrt{P \times R}$  Where E: Rated voltage(V)

P: Rated power(W)

R: Nominal resistance(Ω)

Max Working Voltage =  $\sqrt{P \times R}$

Max Overload Voltage =  $E \times 2.5$

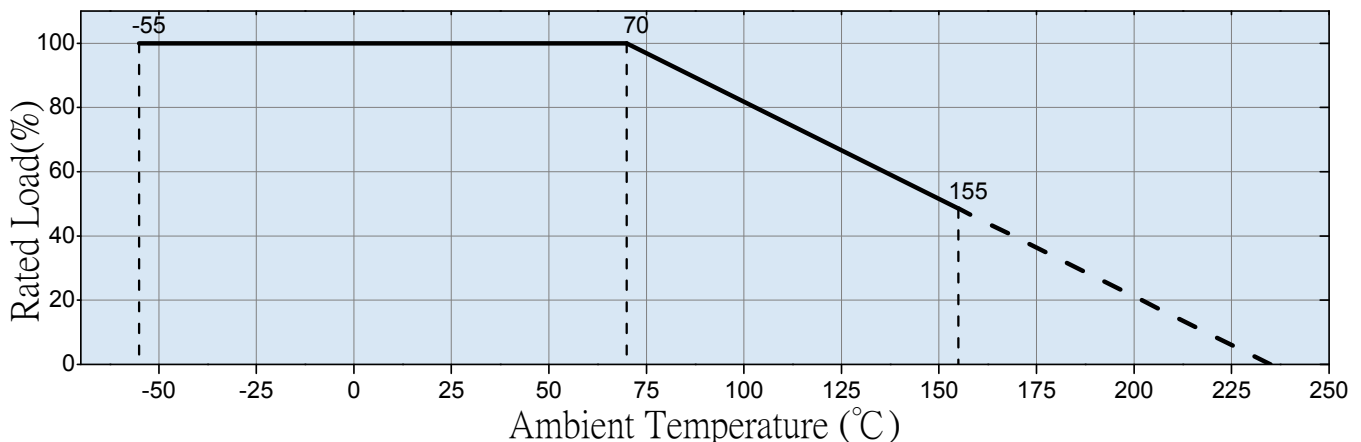
ME	MO	0207	1/4W	3K	J	TR	
↓	↓	↓	↓	↓	↓	↓	
Type	Type	SIZE	POWER	Resistance		J	Packaging
MELF	Metal Oxide	0207	1/8W	0R5	0.5 Ω	G ± 2%	TR Taping Reel
		0309	1/4 Ws	10R	10 Ω	J ± 5%	BU Bulk
		0411	1/4W	100R	100 Ω		
		0515	1/2Ws	1K2	1K2 Ω		
			1Wss	120K	120K Ω		
			1 Ws				
			2Ws				
			3Ws				

Characteristics

Item	Characteristics	Test Method
1. Operating Temp. Range 使用溫度範圍	-40°C ~200°C	
2. Temp. Coefficient 溫度係數	±350ppm/°C	JIS-C-5202; 5.2
3. Short time overload 短時間過負載	±1%	Rating voltage*2.5 or Max. overload voltage for 5 sec. Whichever less
4. Pulse overload 斷續過負載	±2%	Rating voltage*4 or Max. overload voltage for 10,000 cycle (1 sec. "on" 25 sec. "off"), Whichever less
5. Temperature cycling 溫度週率	±1%	-55°C (30 min.) /+85°C (30min.) for 5 cycle
6. Load Life in Humidity 耐濕負載	±5%	40°C±2°C ,90%~95% RH, 1000h,1.5h"on"/0.5h"off" cycle
7. Load Life in Humidity 耐濕負載	±5%	70°C±2°C ,1000h,1.5h"on"/0.5h "off" cycle
8. Resistance to soldering heat 焊接耐熱性	±2%	260°C±5°C , 5sec±1 sec
9. Solderability 焊接性	90% Coverage/Min	235°C±5°C , 2sec±0.5sec
10. Bending test 端子強度	±1%	Holding point width 90mm, Bending 5mm, 1time
11. Non-Combustibility 不燃性	The resistors shall withstand Overload test in accordance With Article UL-94.V-0 without producing a fire hazard.	

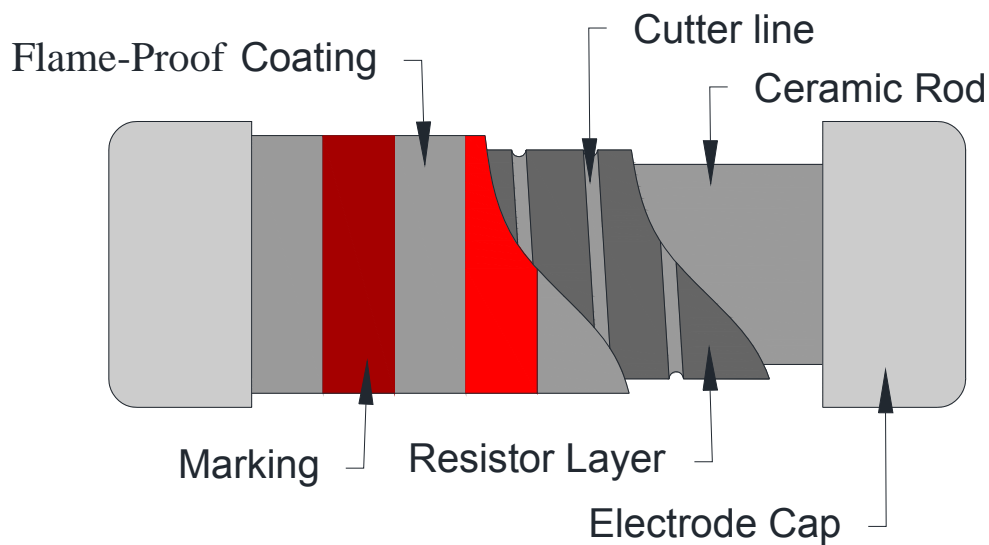
Rated power is maximum power which can be continuously loaded at specified ambient temperature 70°C, however when the ambient temperature exceeds 70°C, rated power should be determined from the derating curve

● POWER GRAPH

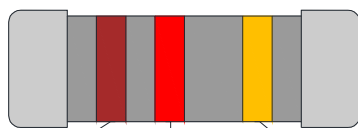


Structure diagram

The construction of resistor (MEMO series) shall be as follows:

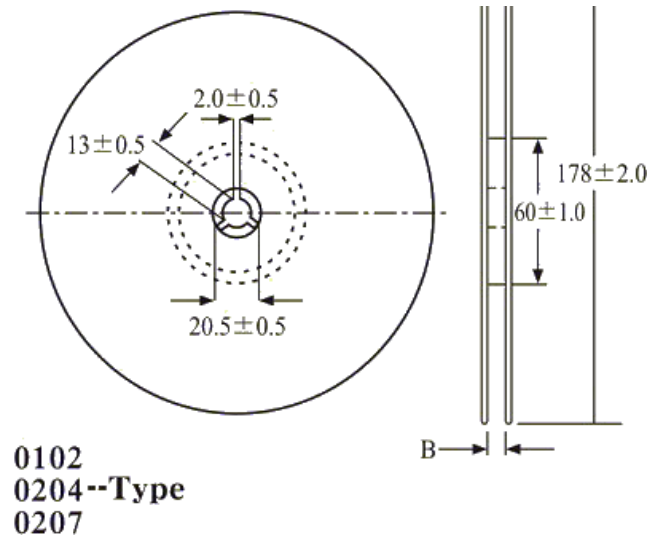
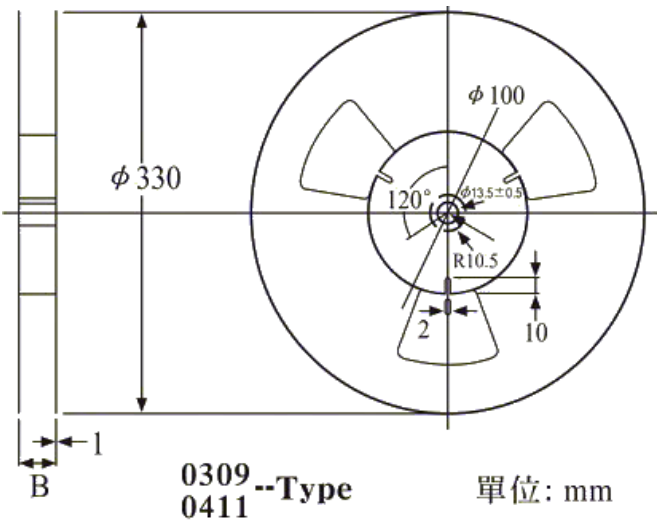
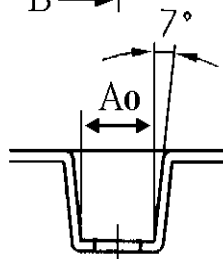
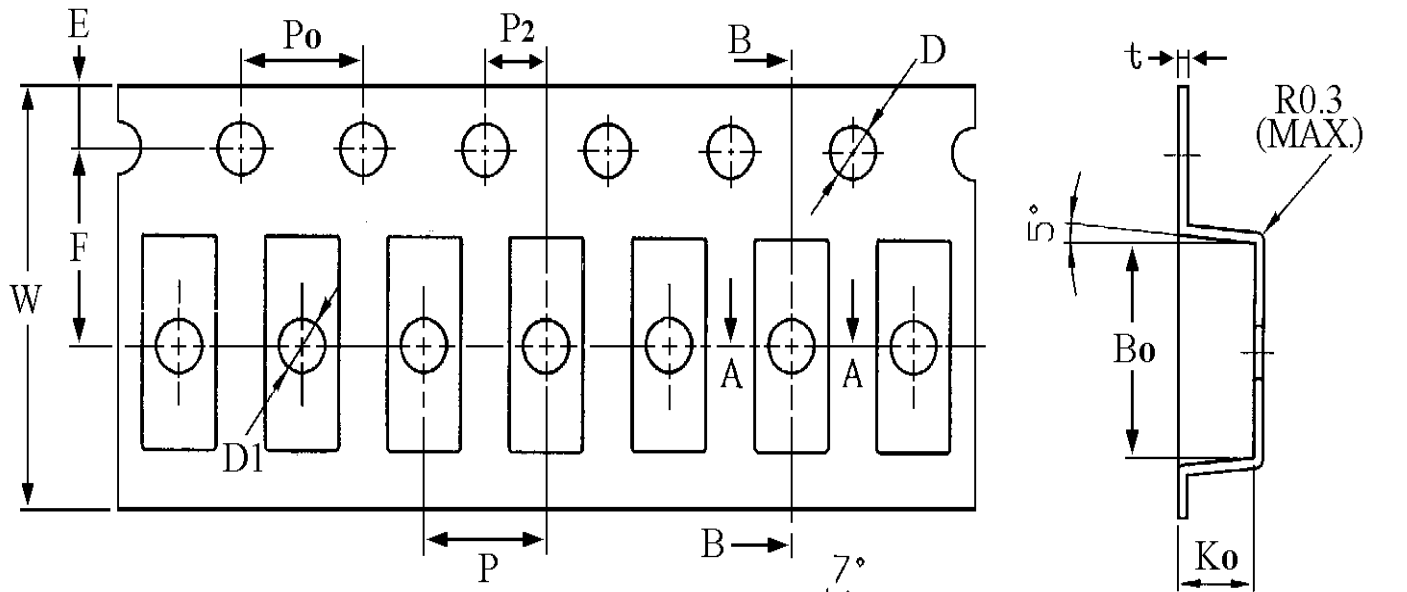


Marking



Color	1st Band	2st Band	3st Band
Black	0	0	1 Ω
Brown	1	1	10 Ω
Red	2	2	100 Ω
Orange	3	3	1K Ω
Yellow	4	4	10K Ω
Green	5	5	100K Ω
Blue	6	6	1M Ω
Violet	7	7	10M Ω
Gray	8	8	
White	9	9	
Gold			0.1 Ω
Silver			0.01 Ω

# MELF Type Packaging Specification



Type	Type				
SIZE	0411	0309	0207	0204	0102
W	24.00±0.30	16.00±0.30	12.00±0.10	8.00±0.10	8.00±0.10
P	8.00±0.10	8.00±0.10	4.00±0.10	4.00±0.10	4.00±0.10
E	1.75±0.10	1.75±0.10	1.75±0.10	1.75±0.10	1.75±0.10
F	11.5±0.10	7.50±0.10	5.50±0.05	3.50±0.05	3.50±0.05
P2	2.00±0.10	2.00±0.10	2.00±0.05	2.00±0.05	2.00±0.05
D	1.50±0.10	1.50±0.10	1.50±0.10	1.50±0.10	1.50±0.10
D1	1.50±0.10	1.50±0.10	1.50±0.10	1.50±0.10	1.50±0.10
Po	4.00±0.10	4.00±0.10	4.00±0.10	4.00±0.10	4.00±0.10
B	24.00±0.5	16.00±0.50	12.00±0.50	8.00±0.50	8.00±0.50
Ao	4.20±0.10	3.30±0.10	2.40±0.10	1.60±0.10	1.5±0.1
Bo	10.00±0.10	8.15±0.10	6.05±0.10	3.70±0.10	2.2±0.1
Ko	4.20±0.10	3.35±0.10	2.50±0.10	1.65±0.10	1.5±0.1
t	0.35±0.05	0.35±0.05	0.30±0.05	0.22±0.05	0.22±0.05

Size	TAPE/REEL	BULK	CARTON
0102	3000pcs		
0204	3000pcs		
0207	2000pcs		
0309	2500pcs	2000pcs	20000pcs
0411	2000pcs	1000pcs	10000pcs
0515	1500pcs	500pcs	5000pcs