

Gold Aluminum Housed Wirewound Resistor

AH Series----- Aluminum Housed Wirewound Resistors

FEATURES:

- I High power rating, small size and ultra precision.
- I Standard winding & non-inductive winding types.
- I High stability, strong construction.

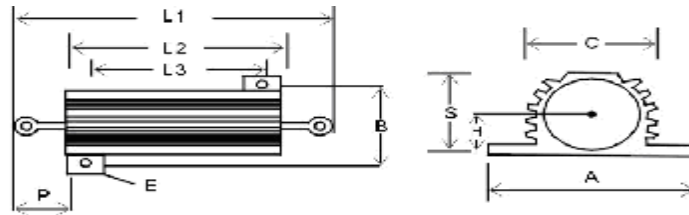


Electrical Specification		
Characteristics	Limits	Test Methods
Resistance Tolerance	Resistance Tolerance 0Ω-100KΩ ±1%(F), ±5%(J)	JIS-C-5202 5-1
Temperature Coefficient	±200ppm/ °C max.	JIS-C-5202 5-2b
Power Rating Load	ΔR/R≤±(1%+0.05Ω) Surface Temp. Rise 350°C max.	JIS-C-5202 5-4
Short-Time Overload	ΔR/R≤±(2%+0.05Ω) 100% Rated Power 5 Seconds	JIS-C-5202 5-5
Insulation Resistance	DC500V 100MΩ min	JIS-C-5202 5-6
Dielectric Withstanding Voltage	AC3000V 60Sec.	JIS-C-5202 5-7

Standard Electrical Spec.											
Type	DIMENSIONS (mm)										Resistance Range
	L1±2	L2±1	L3±1	A±1	B±1	C±1	E±0.3	S±1	H±0.5	P±2	
AH-5W	25	15	10	16.5	12.5	8.5	2	8	4	5	0.1Ω~50K
AH-10W	32	19	14	20	15.5	10.5	2	10	5	6	0.1Ω~50K
AH-25W	47	27	18	27	19	15	3.2	15.5	7	10	0.1Ω~100K
AH-50W	70	50	39	29	21	15	3.2	15.5	7	10	0.1Ω~100K
AH-80W	102	66	35	47	37	28	4.5	25	12	5*18	0.1Ω~100K
AH-100WS	102	66	35	47	37	28	4.5	25	12	5*18	0.1Ω~100K
AH-100W	135	89	69	70	58	46	5	44.5	19.5	6*23	0.1Ω~3K
AH-250W	155	114	98	77	64	53	5	55.5	25	6*21	0.1Ω~3K

PRECISION POWER RESISTORS DIMENSIONS---5~50W, 100W, 250W

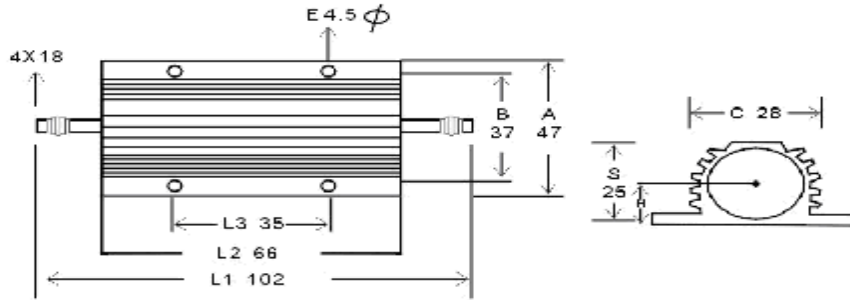
AH-5W
AH-10W
AH-25W
AH-50W



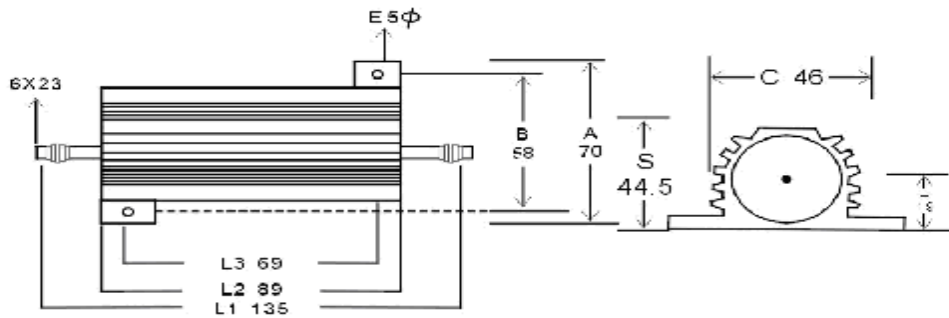
AP-5W
AP-10W
AP-25W
AP-50W

P型鋁殼與H型相同，
只是兩端為銅線出腳

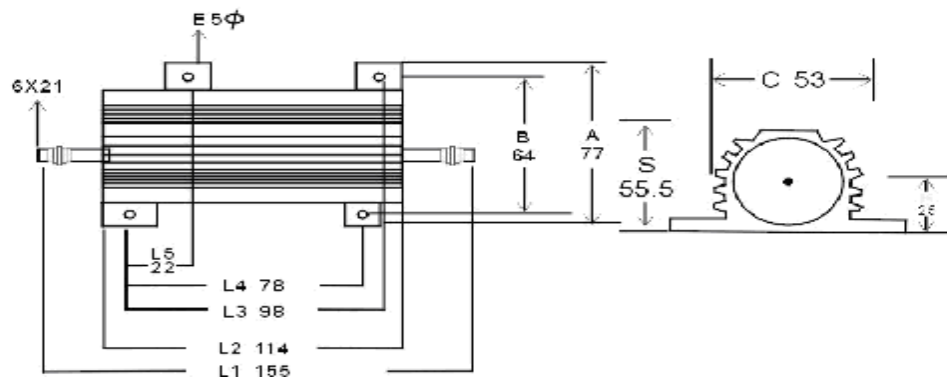
AH-80W
AH-100WS



AH-100W



AH-200W
AH-250W
AH-300W

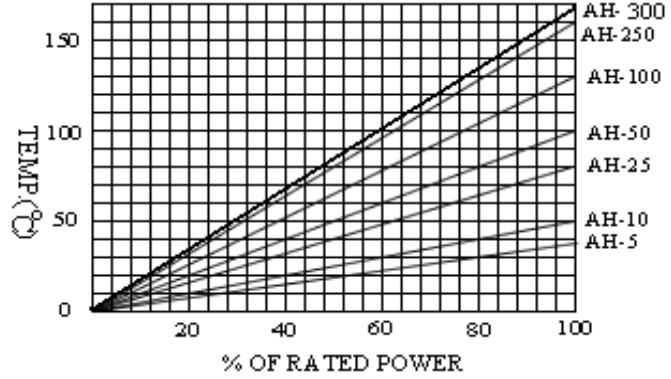
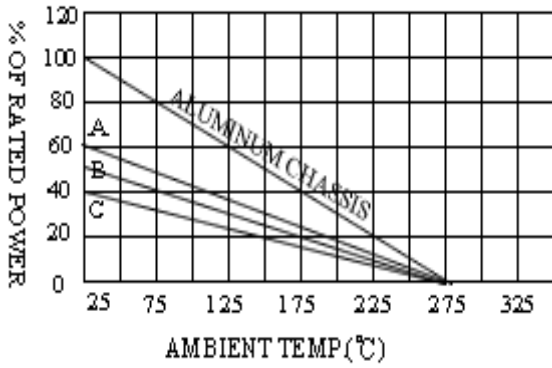


Short-time Overload Rating

Load Time (Second)	1	2	3	4	5	10	30	60	180	300	600	900
Power Incerase (%)	2600	2000	1600	1400	1300	1000	600	450	200	150	120	110

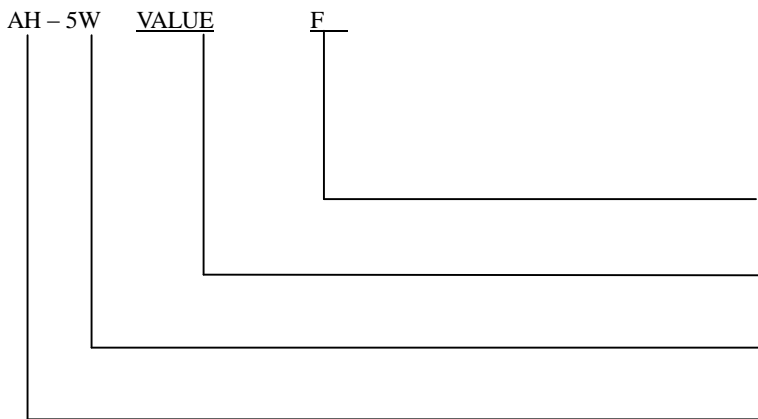
Performance		
Parameters	Test Conditions	Specifications
Short time Over Load	5X wattage rating-5sec	$\Delta R \pm (0.5\% + 0.05 \Omega) \text{ MAX}$
Mbisture Resistance	Temp 40°C moisture 95% DC100V 500HR	$\Delta R \pm (0.5\% + 0.05 \Omega) \text{ MAX}$
Mbisture Load Life	Temp 40°C moisture 95% 1/10X Wattage rating (1.5Hr ON-0.5Hr OFF) - Repeat 1000Hr	$\Delta R \pm (0.5\% + 0.05 \Omega) \text{ MAX}$
Load Life	Load Rating(chassis mounted) (1.5Hr ON 0.5Hr OFF) -Repeat 1000Hr	$\Delta R \pm (1.5\% + 0.05 \Omega) \text{ MAX}$
Vibration	10c/s~50c/s~10c/s(1min) 2Hr each of paralleled and right angle	$\Delta R \pm (0.2\% + 0.05 \Omega) \text{ MAX}$
Heat Resistance	275°C 2Hr	$\Delta R \pm (0.5\% + 0.05 \Omega) \text{ MAX}$
Dielectric Strength	AH-5 AH-10 AH-25 1000V AH-50 1500V AH-100 AH-250 2500V	$\Delta R \pm (0.2\% + 0.05 \Omega) \text{ MAX}$
Insulation Resistance	Under the same test condition of Dielectric Strength, Load DC500v and measure the insulation R.	1000M Ω min
Terminal Strength	(1) Pull Test (30 sec Min) AH-51kg, AH-10 2.3kg, AH-25, AH-50 4.5kg (2) Torque Test (5~15sec) AH-100 27kg-cm, AH 250 36Kg-cm	$\Delta R \pm (0.2\% + 0.05 \Omega) \text{ MAX}$

SURFACE TEMPERATURE VERSUS POWER LOAD (0n Chassis)



Packing		
AH	BOX(PCS)	CARTON(PCS)
5W	400	2400
10W	300	1800
25W	150	600
50W	100	600
80W	8	48
100W	10	60
250W	6	36
300W	6	36

I PART NUMBER:



RES. TOLERANCE 1% / 5% = F / J

RESISTANCE 0R1 1R 10R 100R 1K 10K

DIN SIZE , BODY SIZE

Gold Aluminum Housed Wirewound